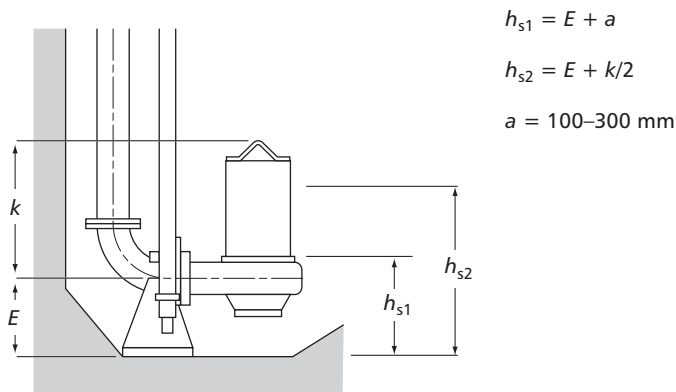


Corrigenda — CIBSE Guide G: Public health and plumbing engineering

Page 6-16: Figure 6.15 has been corrected as below:



(issued 31/05/16)

Page 13-3: Table 13.3: row 6 (mm WG) should read

9.81×10^{-5} 9.81×10^{-2} 9.81 9.81×10^{-3} 3.94×10^{-2} 1 1.42×10^{-3}

(issued 8/11/17)

Page 2-17: The stated values of daily demand for hotels are per bedroom, not per person.

(issued 9/12/20)

Pages 2-47 and 2-48: Appendix 2.A1: Simultaneous demand pipe sizing charts

See below: this appendix was inadvertently omitted from Guide G (2014).

Appendix 2.A1: Simultaneous demand pipe sizing charts

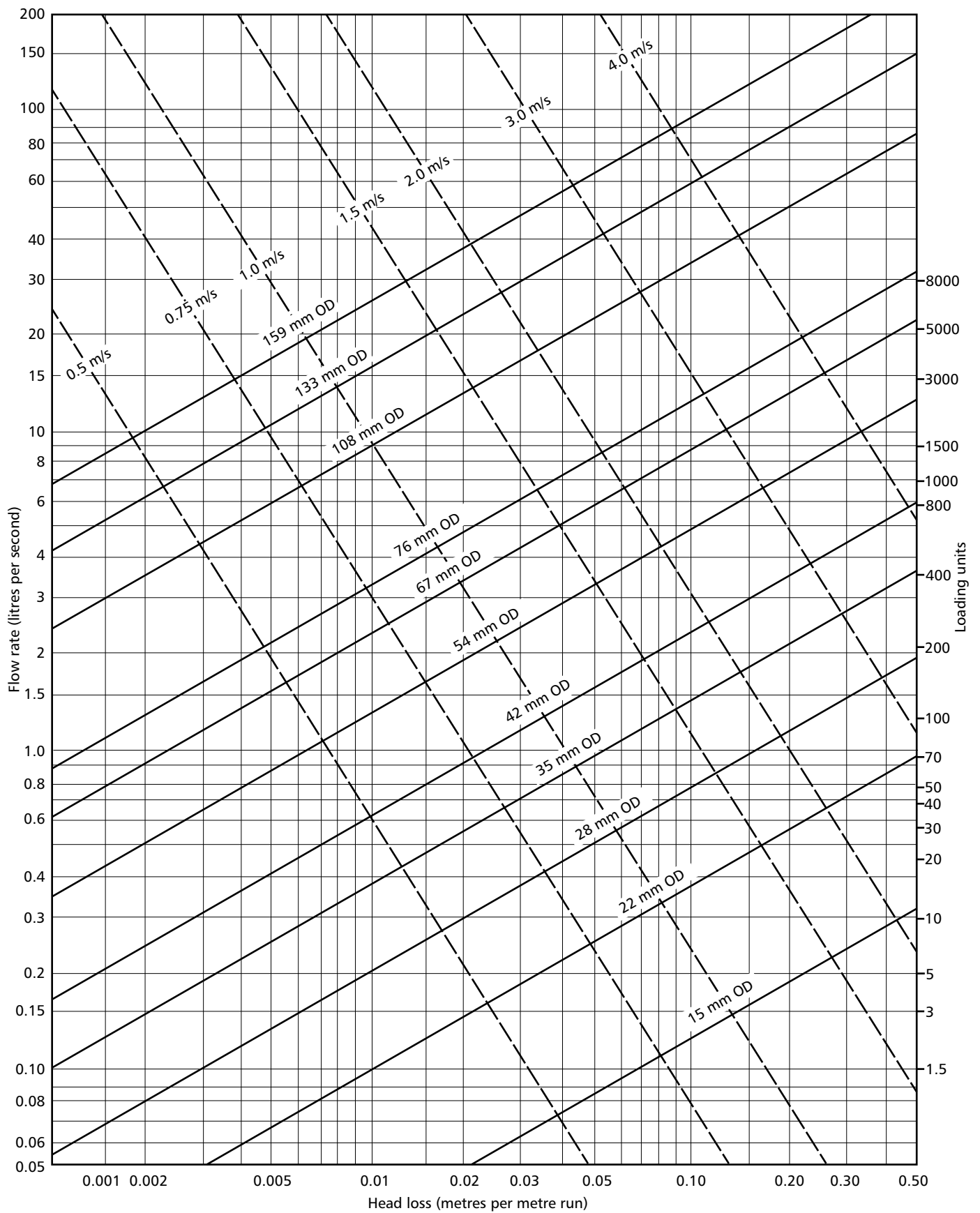


Figure 2.A1 Pipe sizing chart: copper and stainless steel pipes (reproduced from the Plumbing Engineering Services Design Guide⁽³⁴⁾ by permission of the Chartered Institute of Plumbing and Heating Engineers)

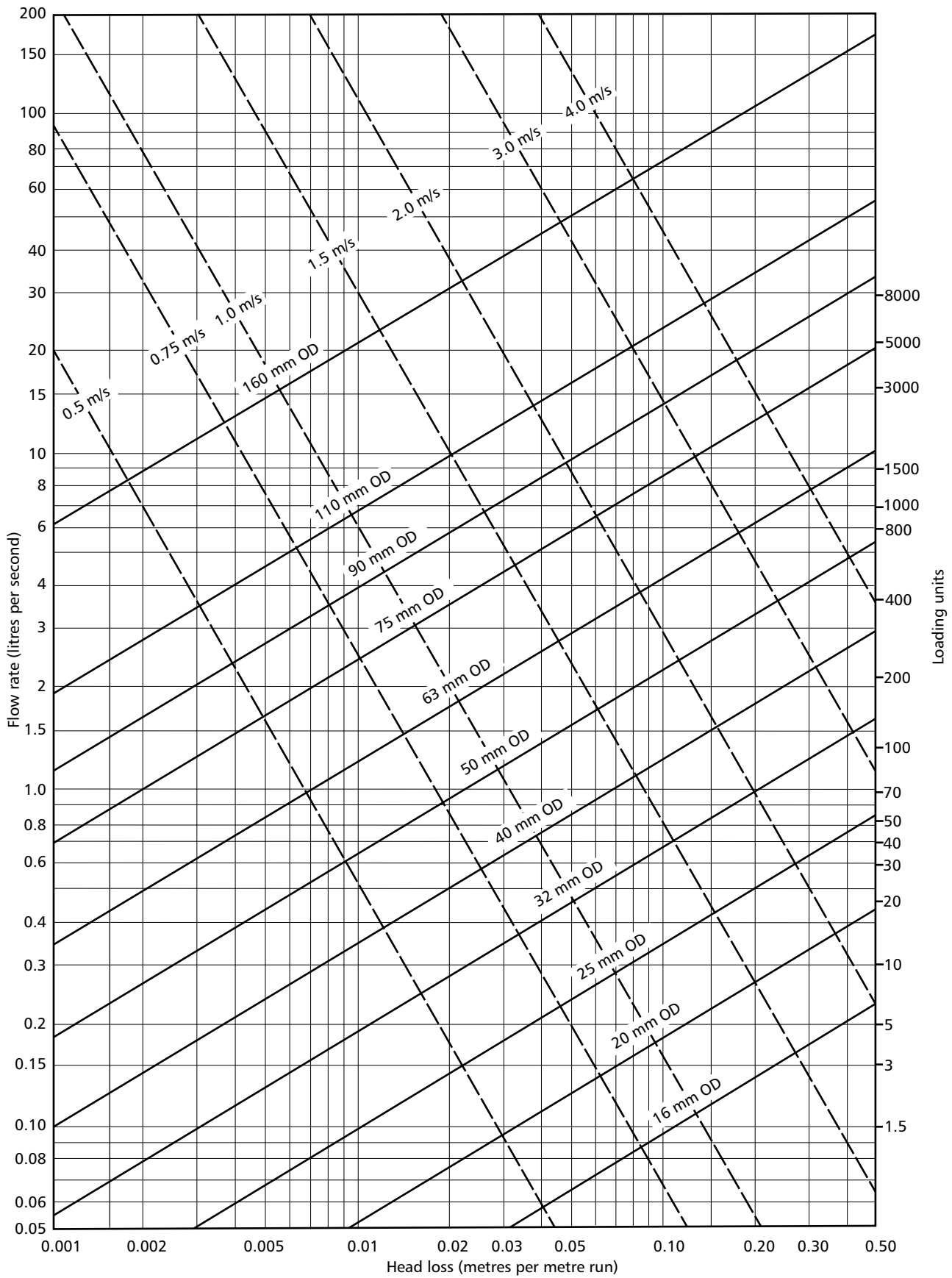


Figure 2.A2 Pipe sizing chart: plastic pipes (reproduced from the Plumbing Engineering Services Design Guide⁽³⁴⁾ by permission of the Chartered Institute of Plumbing and Heating Engineers)